

I N S T R U C T I O N S



Maddacrawler™ Prone Support Walker

Catalog Number 70409-2000

Sit and Ride™ Ambulatory Aid

Catalog Number 70409-2005

(Replacement Sling 70409-2010)

(Hand-Rail Kit 70409-2011)

Sling Installation

1. With top surface of sling facing up, insert both ends of sling into the outer slots of the base (Fig.1).
2. Turn base on its side to gain access to its bottom and the ends of the sling. Feed the ends of sling through the two inner slots from the inside of the base back to the outside (Fig. 2).
3. Return the base to the upright position (Fig. 3).
4. Height adjustment:
 - (a) Adjust height of sling suspension by manually pulling and tucking sling at the slots.
 - (b) Connect the two ends of the sling to form the bottom layer by engaging the hook-and-loop tapes. A correctly installed sling will show a continuous top layer with a bottom layer formed by the overlap joining of the ends (Fig. 4).
 - (c) Test sling by pressing down on it from the top at the center.

Hand Rail Installation

1. Turn the base on its side to gain access to the inside via the bottom (Fig.5).
2. Fit one hand-rail into a channel on the side of the Maddacrawler and align the screw holes on the rail with the pre-drilled holes in the channel.

Int'l. Patent 6,019,705

Maddak Inc.

6 INDUSTRIAL ROAD • PEQUANNOCK, NJ 07440-1993 USA
973-628-7600 • fax 973-305-0841 • email custservice@maddak.com • www.maddak.com

3. Place a screw through the top hole of the hand rail and through the hole in the plastic of the Maddacrawler.
4. Using one hand to manipulate the nut from the inside (with built-in lock-washers facing the plastic wall) and the other hand to manipulate the screw and screw driver from the outside, assemble the hand rail as shown in (Fig. 6).
5. Repeat Step 3 with another screw in the bottom set of holes.
6. Repeat Steps 2-5 with the second hand rail
7. Return the base back to the upright position (Fig. 7) and test hand rails by pulling firmly. Tighten the screws fully until hand rails are firmly in place.

Note—*There should be two screws on each side of each hand rail for a total of eight screws.*

Safety Warnings

- Always inspect the casters, sling, and hand rails before using this product.
- Never leave child alone using this product without adult supervision.
- Use this product only on flat, level surfaces with path cleared of crawling children or small animals.
- Never use this product near steps or ramps.
- Never use this product near pools, ponds and streams.
- Never use the product in or near a moving vehicle.
- Never use this product near burning fireplaces, space heaters, hot radiators or other potential burn hazards.
- Wear protective head gear if this product is used in areas where hard walls or protruding obstacles are present.

Cleaning

The base and the sling can be cleaned with standard household disinfectant or mild detergent. Be sure to rinse thoroughly with water after using a disinfectant.

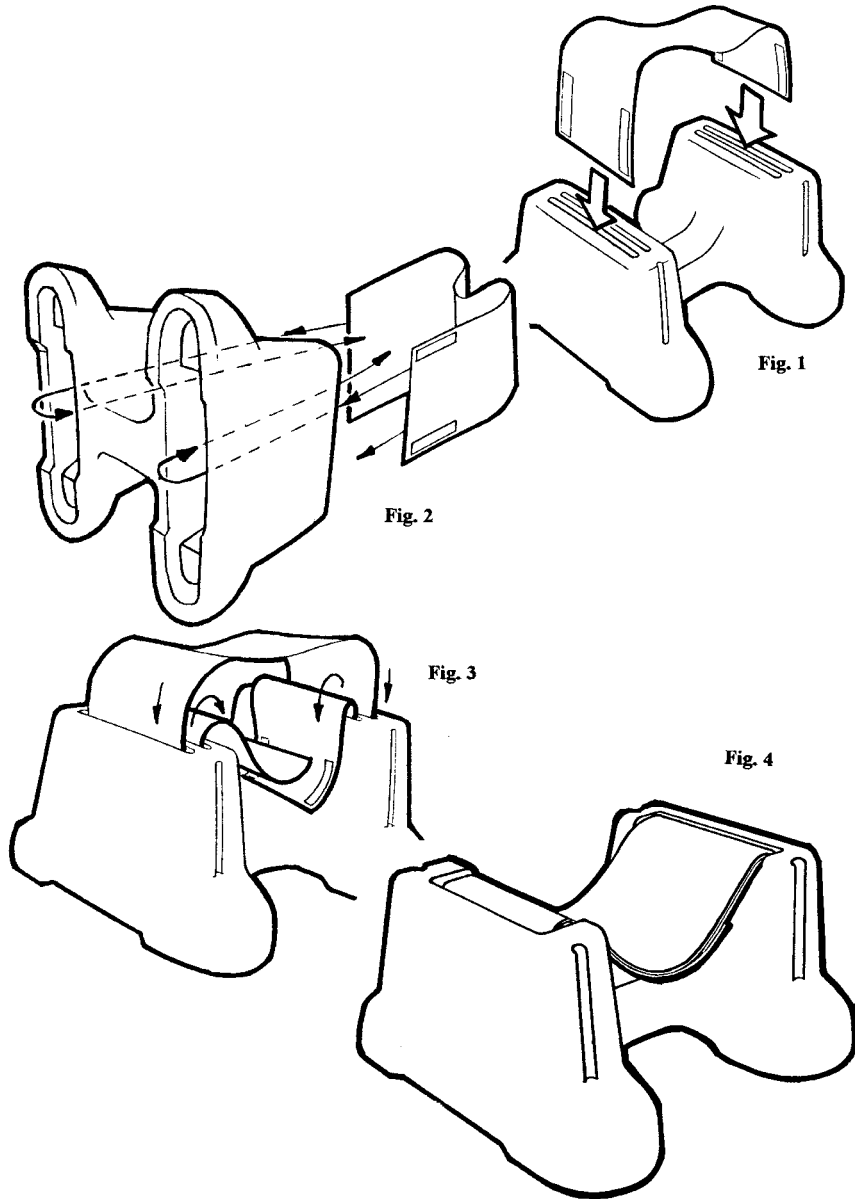
Maintenance

Periodically check the condition of the entire assembly by inspecting the casters, sling, and hand rails (if equipped) for proper function and wear. Readjust or replace these parts when necessary.

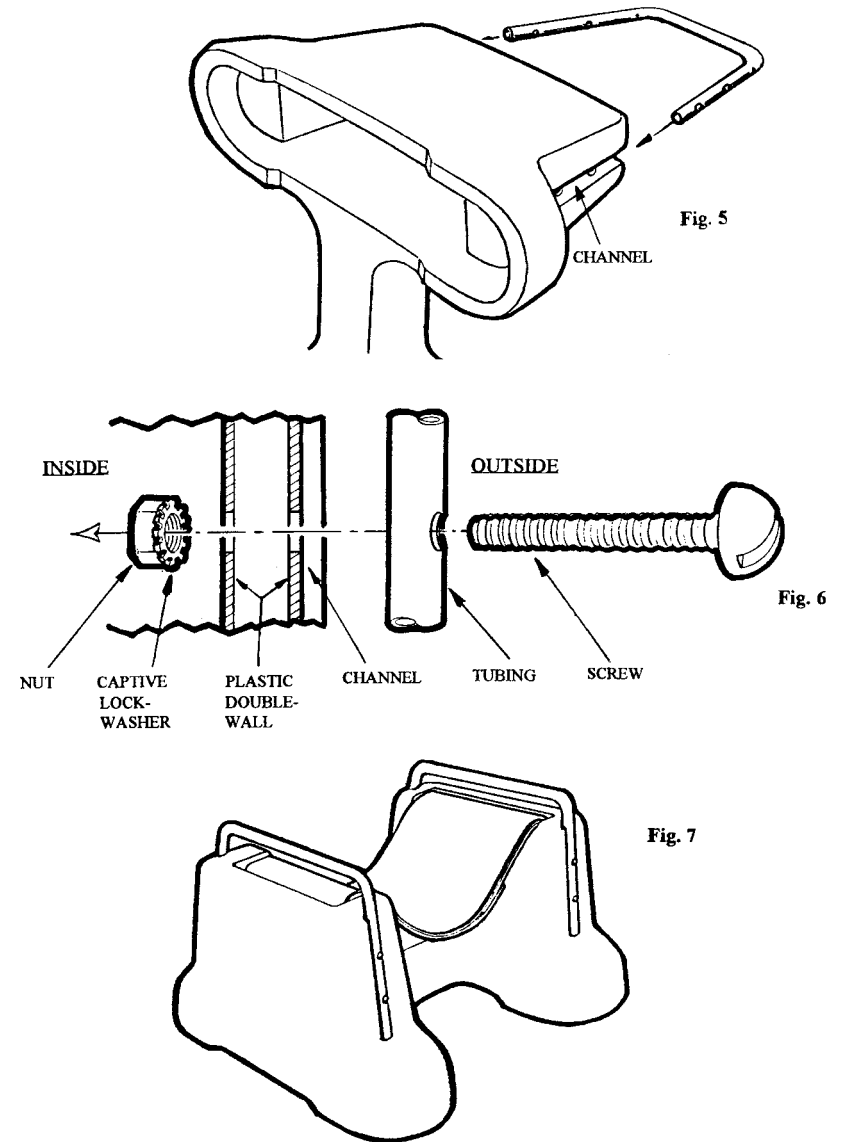
Maddak Inc.

6 INDUSTRIAL ROAD • PEQUANNOCK, NJ 07440-1993 USA
973-628-7600 • fax 973-305-0841 • email custservice@maddak.com • www.maddak.com

Sling Installation



Hand Rail Installation



Maddak Inc.

6 INDUSTRIAL ROAD • PEQUANNOCK, NJ 07440-1993 USA
973-628-7600 • fax 973-305-0841 • email custservice@maddak.com • www.maddak.com

Maddak Inc.

6 INDUSTRIAL ROAD • PEQUANNOCK, NJ 07440-1993 USA
973-628-7600 • fax 973-305-0841 • email custservice@maddak.com • www.maddak.com