

I N S T R U C T I O N S

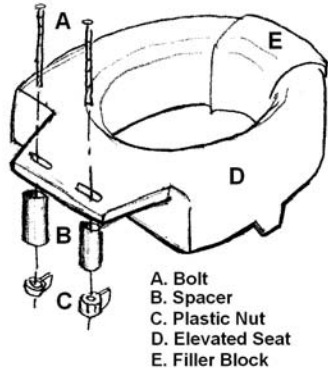


Secure-Bolt™ Elevated Toilet Seat

72579-0002

Secure-Bolt™ Elevated Toilet Seat with Closed Front Adapter

1. Remove existing seat and lid from the toilet. Be sure to not damage any of the parts. The seat and lid can be used with the Secure-Bolt™ Elevated Toilet Seat.
2. Place the elevated seat (D) on the toilet making sure to line up the holes.
3. Place the regular toilet seat over the elevated seat (D).
4. Hold the spacer (B) under the bolt hole and guide the bolt (A) through the regular toilet seat and the elevated seat (D).
5. Repeat step 4 with the remaining bolt (A) and spacer (B).
6. Place the plastic nut (C) on the end of the bolt (A) and tighten. Repeat for the other plastic nut (C) and bolt (A).
7. If a closed front is desired, slide on the filler block (E) in the open front of the elevated seat (D).



Maddak

6 INDUSTRIAL ROAD • PEQUANNOCK, NJ 07440-1993 USA

973-628-7600 • fax 973-305-0841 • email custservice@maddak.com • www.maddak.com