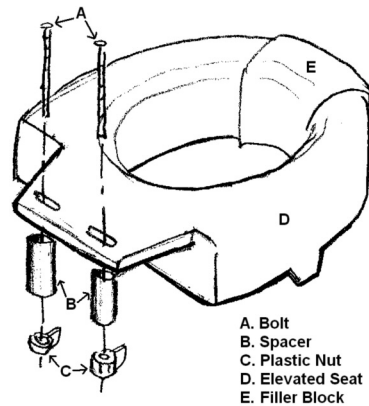


I N S T R U C T I O N S

Secure-Bolt™ Elevated Toilet Seat

Catalog Number 725790002

1. Remove existing seat and lid from the toilet. Be sure to not damage any of the parts. The seat and lid can be used with the Secure-Bolt™ Elevated Toilet Seat.
2. Place the elevated seat (D) on the toilet making sure to line up the holes.
3. Place the regular toilet seat over the elevated seat (D).
4. Hold the spacer (B) under the bolt hole and guide the bolt (A) through the regular toilet seat and the elevated seat (D).
5. Repeat step 4 with the remaining bolt (A) and spacer (B).
6. Place the plastic nut (C) on the end of the bolt (A) and tighten. Repeat for the other plastic nut (C) and bolt (A).
7. If a closed front is desired, slide on the filler block (E) in the open front of the elevated seat (D).



A Division of SP Industries

661 Route 23 South • Wayne, NJ 07470

973-628-7600 • email custservice@maddak.com • www.spableware.com

972579200

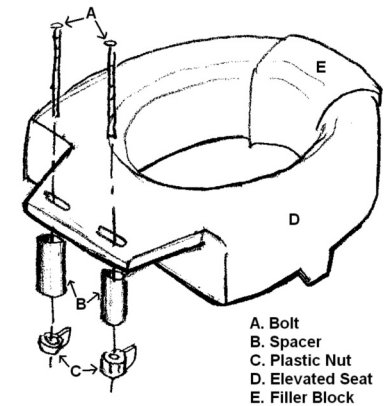
0616

I N S T R U C T I O N S

Secure-Bolt™ Elevated Toilet Seat

Catalog Number 725790002

1. Remove existing seat and lid from the toilet. Be sure to not damage any of the parts. The seat and lid can be used with the Secure-Bolt™ Elevated Toilet Seat.
2. Place the elevated seat (D) on the toilet making sure to line up the holes.
3. Place the regular toilet seat over the elevated seat (D).
4. Hold the spacer (B) under the bolt hole and guide the bolt (A) through the regular toilet seat and the elevated seat (D).
5. Repeat step 4 with the remaining bolt (A) and spacer (B).
6. Place the plastic nut (C) on the end of the bolt (A) and tighten. Repeat for the other plastic nut (C) and bolt (A).
7. If a closed front is desired, slide on the filler block (E) in the open front of the elevated seat (D).



A Division of SP Industries

661 Route 23 South • Wayne, NJ 07470

973-628-7600 • email custservice@maddak.com • www.spableware.com

972579200

0616