

I N S T R U C T I O N S

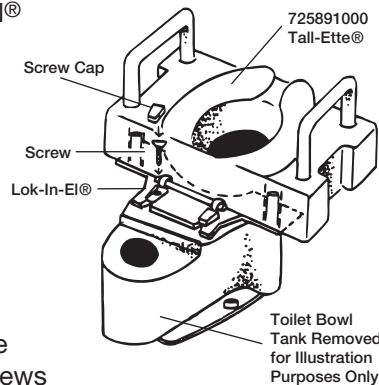
Extra Wide Tall-Ette® Toilet Seat with Lok-in-EI® Bracket and Armrest Bars

Catalog Number 725891000

The Tall-Ette® Elevated Toilet Seat comes completely assembled with the Lok-In-EI® bracket and armrest bars permanently attached.

To Install on Toilet:

1. Loosen nuts on the screws that hold the toilet seat and lid to the toilet.
2. Lift the toilet seat to a raised position and pull up.
3. Slide the Lok-In-EI® bracket tongue under the seat bracket so that the side section fits between the toilet seat screws and the two narrow sections fit outside of the screws.
4. Tighten the nuts on the screws to secure the seat and bracket. The Tall-Ette® Elevated Toilet Seat should be in contact with the bowl. The bottom flange fits inside the rim of the toilet bowl.



Caution:

Do not use this model without the Lok-In-EI® Bracket.
Do not remove the Lok-In-EI® Bracket.
Do not use the Tall-Ette® Elevated Toilet Seat if it does not fit into the toilet bowl rim.



A Division of SP Industries

661 Route 23 South • Wayne, NJ 07470

973-628-7600 • email custservice@maddak.com • www.spableware.com

972589002

0616

I N S T R U C T I O N S

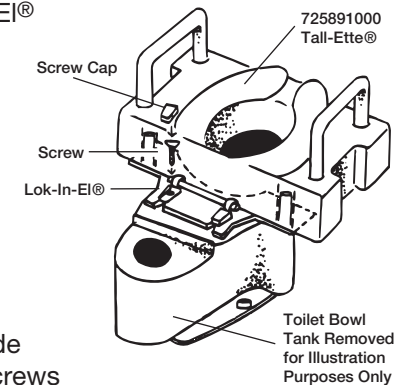
Extra Wide Tall-Ette® Toilet Seat with Lok-in-EI® Bracket and Armrest Bars

Catalog Number 725891000

The Tall-Ette® Elevated Toilet Seat comes completely assembled with the Lok-In-EI® bracket and armrest bars permanently attached.

To Install on Toilet:

1. Loosen nuts on the screws that hold the toilet seat and lid to the toilet.
2. Lift the toilet seat to a raised position and pull up.
3. Slide the Lok-In-EI® bracket tongue under the seat bracket so that the side section fits between the toilet seat screws and the two narrow sections fit outside of the screws.
4. Tighten the nuts on the screws to secure the seat and bracket. The Tall-Ette® Elevated Toilet Seat should be in contact with the bowl. The bottom flange fits inside the rim of the toilet bowl.



Caution:

Do not use this model without the Lok-In-EI® Bracket.
Do not remove the Lok-In-EI® Bracket.
Do not use the Tall-Ette® Elevated Toilet Seat if it does not fit into the toilet bowl rim.



A Division of SP Industries

661 Route 23 South • Wayne, NJ 07470

973-628-7600 • email custservice@maddak.com • www.spableware.com

972589002

0616