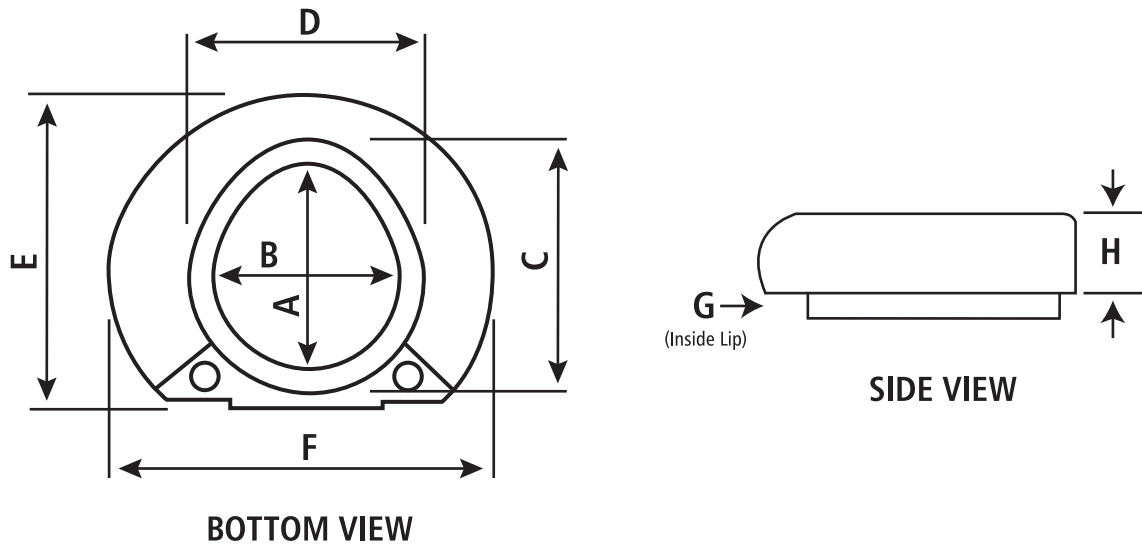


Elevated Toilet Seat Dimensions Chart

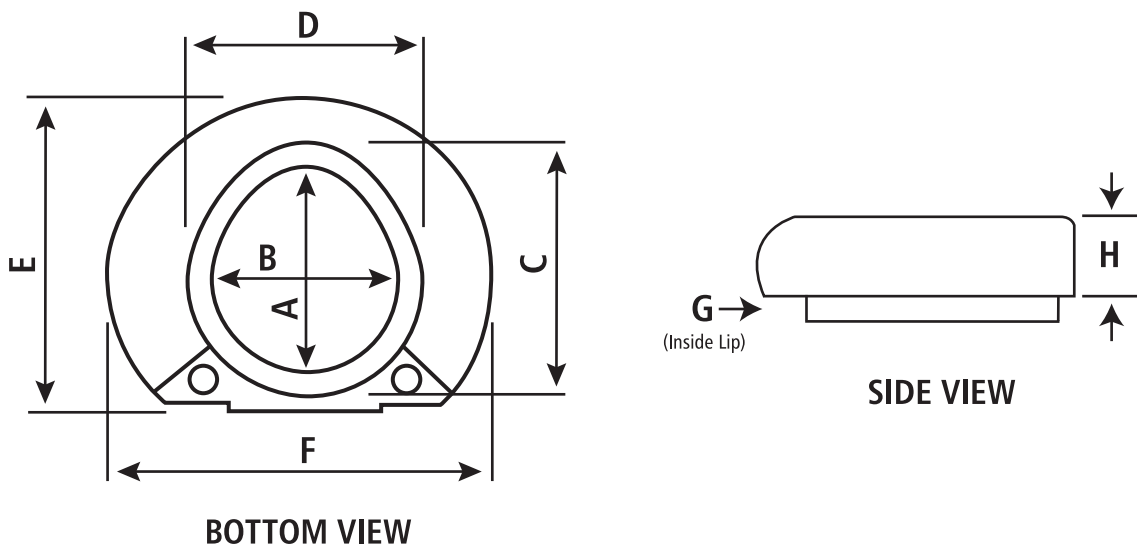


Item #	Description	Page	A		B		C		D		E		F		G		H	
			Inches	CM	Inches	CM	Inches	CM	Inches	CM	Inches	CM	Inches	CM	Inches	CM	Inches	CM
725600000	Push-Up Elevated Toilet Seat, 1" (2.54 cm)	10	12	30.5	11	27.9	14	35.6	-	-	18	45.7	24 ¹ / ₄	61.6	-	-	1	2.5
725600000	Elevated Wheelchair Transfer Toilet Seat, 1" (2.54 cm)	10	12	30.5	11	27.9	14	35.6	-	-	18	45.7	24 ¹ / ₄	61.6	-	-	1	2.5
725600050	Elevated Push-Up Toilet Seat, 3" (7.62 cm)	10	12	30.5	11	27.9	14	35.6	9	22.9	17 ³ / ₄	45.1	24 ¹ / ₄	61.6	¹ / ₂	1.3	3	7.6
725600051	Elevated Toilet Transfer Seat, 3" (7.62 cm)	10	12	30.5	11	27.9	14	35.6	9	22.9	17 ³ / ₄	45.1	24 ¹ / ₄	61.6	¹ / ₂	1.3	3	7.6
725680000	Secure Bolt Hinged Toilet Seat, Std	9	8	20.3	10 ¹ / ₂	26.7	14 ¹ / ₄	36.2	8 ³ / ₄	22.2	18 ⁷ / ₈	47.9	15	38.1	¹ / ₂	1.3	3 ³ / ₄	9.5
725680001	Secure Bolt Hinged Toilet Seat, Elong	9	8	20.3	10 ¹ / ₂	26.7	16 ¹ / ₄	41.3	8 ³ / ₄	22.2	20 ³ / ₄	52.7	15	38.1	¹ / ₂	1.3	3 ³ / ₄	9.5
725711000	Hinged Toilet Seat, Std	11	11 ¹ / ₄	28.6	9 ¹ / ₂	24.1	11 ¹ / ₂	29.2	10 ¹ / ₄	26.0	17 ¹ / ₂	44.5	14 ¹ / ₄	36.2	¹ / ₂	1.3	3	7.6
725711005	Hinged Toilet Seat, Elong	11	13	33.0	9 ¹ / ₄	24.8	13 ¹ / ₄	33.7	-	-	19 ¹ / ₂	49.5	14 ³ / ₄	37.5	-	-	3	7.6
725753101	Lock-On Toilet Seat	12	9 ¹ / ₄	23.5	7 ¹ / ₂	19.1	-	-	8 ¹ / ₂	21.6	16 ¹ / ₂	41.9	15	38.1	2 ³ / ₄	7.0	5	12.7
725753111	Lock-On Toilet Seat W/Arms	12	9 ¹ / ₄	23.5	7 ¹ / ₂	19.1	-	-	8 ¹ / ₂	21.6	16 ³ / ₄	42.5	21 ¹ / ₂	54.6	2 ³ / ₄	7.0	5	12.7
725753210	Bolt-On Toilet Seat W/Arms, Std	12	11 ¹ / ₄	28.6	9 ¹ / ₂	24.1	14 ⁷ / ₈	37.8	6 ¹ / ₄	15.9	17 ¹ / ₄	43.8	21 ¹ / ₂	54.6	¹ / ₄	0.6	3 ¹ / ₂	8.9
725753310	Bolt-On Toilet Seat W/Arms, Elong	12	13 ¹ / ₂	34.3	10 ¹ / ₄	26.0	17 ¹ / ₄	43.8	6 ³ / ₄	17.1	19 ¹ / ₂	49.5	21 ¹ / ₂	54.6	¹ / ₄	0.6	3 ¹ / ₂	8.9
725790000	Elevated Toilet Seat, Basic Open Front	12	8	20.3	10 ¹ / ₂	26.7	-	-	8 ³ / ₄	22.2	13 ⁷ / ₈	35.2	15	38.1	1 ¹ / ₄	3.2	3	7.6
725790001	Elevated Toilet Seat, Basic Closed w/Front Option	12	8	20.3	10 ¹ / ₂	26.7	-	-	8 ³ / ₄	22.2	13 ⁷ / ₈	35.2	15	38.1	1 ¹ / ₄	3.2	3	7.6
725790002	Secure-Bolt Elevated Toilet Seat	9	8	20.3	10 ¹ / ₂	26.7	14 ⁵ / ₈	37.1	8 ³ / ₄	22.2	17 ³ / ₄	45.1	15	38.1	1 ¹ / ₄	3.2	3	7.6
725802000	Tall-Ette Economy	13	10	25.4	8	20.3	13	33.0	9 ¹ / ₂	24.1	14 ¹ / ₂	36.8	16	40.6	1 ¹ / ₂	3.8	4	10.2
725812000	Tall-Ette Economy W/Slip-In	13	10	25.4	8	20.3	13	33.0	9 ¹ / ₂	24.1	14 ¹ / ₂	36.8	16	40.6	1 ¹ / ₂	3.8	4	10.2

Product dimensions may be rounded for presentation.

If exact specifications are critical, please feel free to contact us at custservice@maddak.com.

Elevated Toilet Seat Dimensions Chart



Item #	Description	Page	A		B		C		D		E		F		G		H	
			Inches	CM	Inches	CM	Inches	CM	Inches	CM	Inches	CM	Inches	CM	Inches	CM	Inches	CM
725812001	Tall-Ette Economy W/Bolt-Down	13	10	25.4	7½	19.1	11½	29.2	9½	24.1	14¼	36.2	16	40.6	1½	3.8	4	10.2
725831002	Tall-Ette, Contoured, 2" (5.08 cm), Elong	14	10	25.4	8	20.3	12	30.5	10	25.4	16	40.6	15½	39.4	1¾	4.4	2	5.1
725831004	Tall-Ette, Contoured, 4" (10.16 cm), Elong	14	10	25.4	8	20.3	12	30.5	10	25.4	15½	39.4	15½	39.4	1¾	4.4	4	10.2
725831006	Tall-Ette, Contoured, 6" (15.24 cm), Elong	14	10	25.4	8	20.3	12	30.5	10	25.4	15	38.1	16	40.6	1¾	4.4	6	15.2
725841000	Tall-Ette, Contoured, 2" (5.08 cm), Std	14	10	25.4	8	20.3	12	30.5	10	25.4	16	40.6	15½	39.4	1¾	4.4	2	5.1
725851000	Tall-Ette, Contoured, 4" (10.16 cm), Std	14	10	25.4	8	20.3	12	30.5	10	25.4	15½	39.4	15½	39.4	1¾	4.4	4	10.2
725861000	Tall-Ette, Contoured, 6" (15.24 cm), Std	14	10	25.4	8	20.3	12	30.5	10	25.4	15	38.1	16	40.6	1¾	4.4	6	15.2
725881000	Tall-Ette W/Arms & Legs, Alum	15	10	25.4	8	20.3	12	30.5	10	25.4	16	40.6	22½	57.2	1¾	4.4	4	10.2
725882000	Tall-Ette W/Arms & Legs, Steel	15	10	25.4	8	20.3	12	30.5	10	25.4	16	40.6	22½	57.2	1¾	4.4	4	10.2
725891000	Tall-Ette W/Arms	15	10	25.4	8	20.3	12	30.5	10	25.4	16	40.6	22½	57.2	1¾	4.4	4	10.2
725901000	Tall-Ette, Arthro, Left, Std	14	10	25.4	8	20.3	12	30.5	10	25.4	15½	39.4	15	38.1	1¾	4.4	4	10.2
725901001	Tall-Ette, Arthro, Left, Elong	14	10	25.4	8	20.3	12	30.5	10	25.4	15½	39.4	15	38.1	1¾	4.4	4	10.2
725921000	Tall-Ette, Arthro, Right, Std	14	10	25.4	8	20.3	12	30.5	10	25.4	15½	39.4	15	38.1	1¾	4.4	5¾	14.7
725921001	Tall-Ette, Arthro, Right, Elong	14	10	25.4	8	20.3	12	30.5	10	25.4	15½	39.4	15	38.1	1¾	4.4	5¾	14.7
725971000	Tall-Ette Hip Replacement, Std	15	10	25.4	8	20.3	12	30.5	10	25.4	15	38.1	15	38.1	1¾	4.4	4	10.2
725971001	Tall-Ette Hip Replacement, Elong	15	10	25.4	8	20.3	12	30.5	10	25.4	15	38.1	15	38.1	1¾	4.4	4	10.2

Product dimensions may be rounded for presentation.

If exact specifications are critical, please feel free to contact us at custservice@maddak.com.