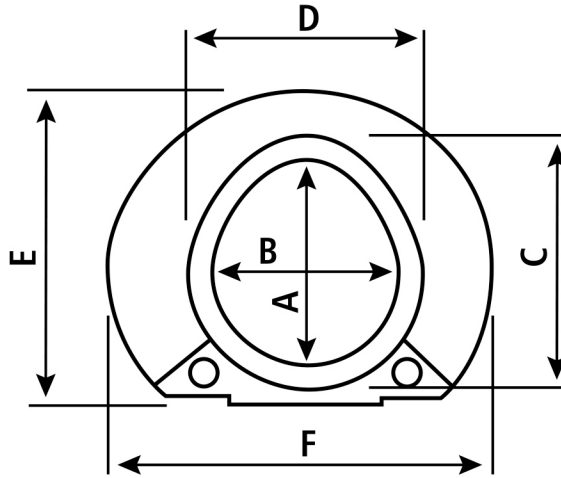
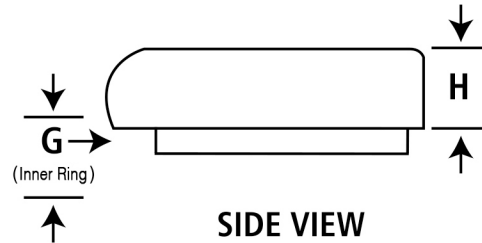


# Elevated Toilet Seat Dimensions Chart

ELEVATED TOILET SEAT, BASIC CLOSED W/FRONT OPTION, 725790001



**BOTTOM VIEW**



**SIDE VIEW**

Item #	Description	A		B		C		D		E		F		G		H	
		Inches	CM	Inches	CM	Inches	CM	Inches	CM	Inches	CM	Inches	CM	Inches	CM	Inches	CM
725790001	Elevated Toilet Seat, Basic Closed w/Front Option	8	20.3	10½	26.7	-	-	8¾	22.2	13⅞	35.2	15	38.1	1¼	3.2	3	7.6



Line drawing is a general representation and may not actually portray the shape of this specific toilet seat. Please refer to photo and dimensions chart for specific information on this model to determine compatibility of elevated toilet seat with your existing toilet seat bowl.