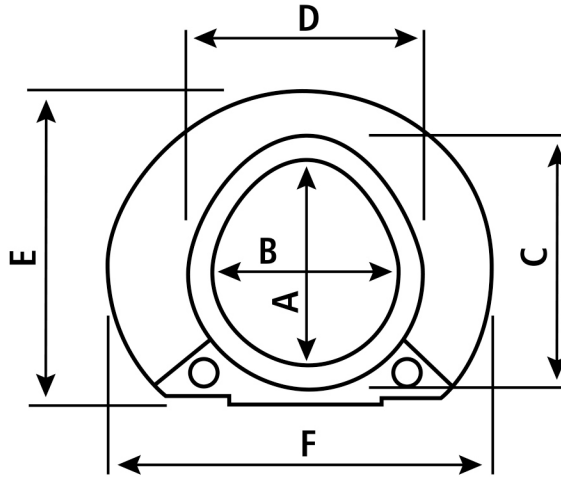
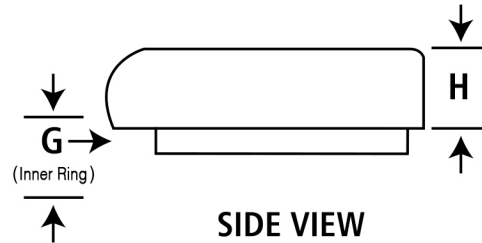


Elevated Toilet Seat Dimensions Chart

TALL-ETTE HIP REPLACEMENT, ELONG, 725971001



BOTTOM VIEW



SIDE VIEW

Item #	Description	A		B		C		D		E		F		G		H	
		Inches	CM	Inches	CM	Inches	CM	Inches	CM	Inches	CM	Inches	CM	Inches	CM	Inches	CM
725971001	Tall-Ette Hip Replacement, Elong	10	25.4	8	20.3	12	30.5	10	25.4	15	38.1	15	38.1	13/4	4.4	4	10.2



Line drawing is a general representation and may not actually portray the shape of this specific toilet seat. Please refer to photo and dimensions chart for specific information on this model to determine compatibility of elevated toilet seat with your existing toilet seat bowl.